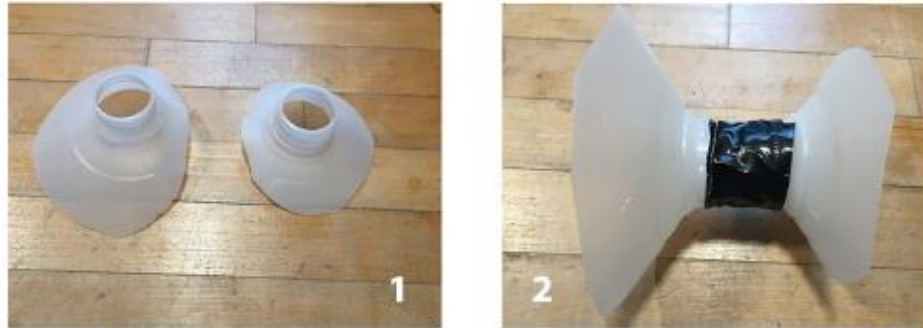


Revised Model

HOW TO MAKE A CIRCLE TRAP

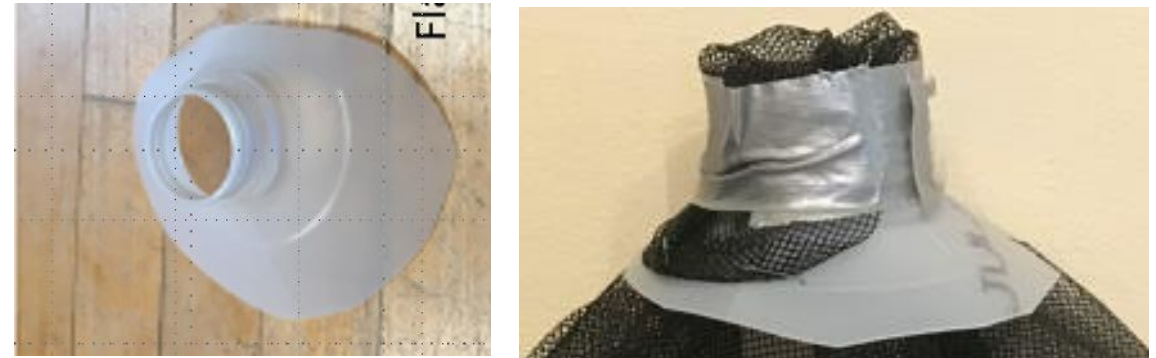
Penn State Circle Trap



- Uses two jug tops to create funnel
 - Easier to attach the trap bag
 - Requires twice as many plastic jugs
- Screen is 30" x 36"
- Uses hot glue to attach screen to funnel
 - Screening is attached to the inside
 - Burns
 - Glue pulls away overtime

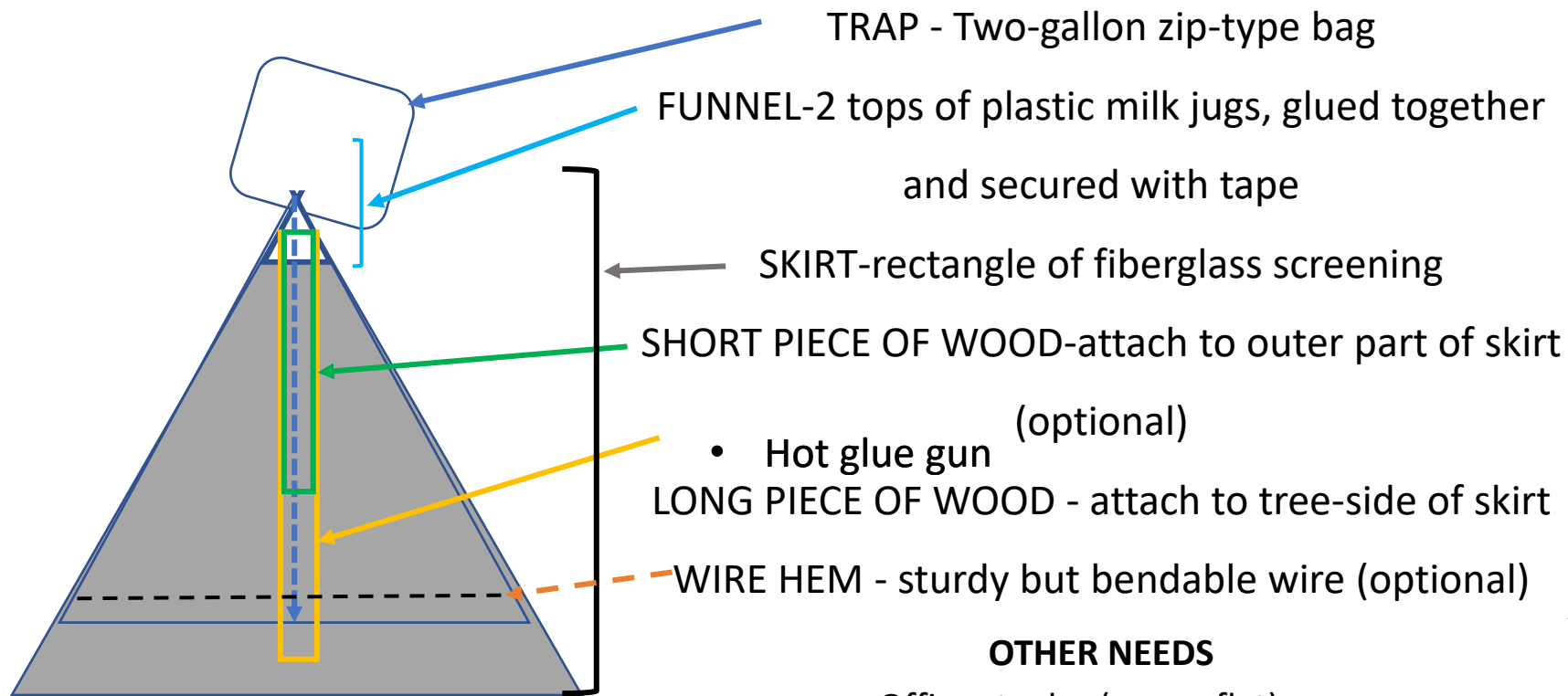
<https://extension.psu.edu/how-to-build-a-new-style-spotted-lanternfly-circle-trap>

Revised Circle Trap



- Uses one jug top
 - Attaching trap bag is trickier
 - Fewer plastic jugs
- Screen is ~25" x 30"
- Uses staples to attach screen
 - Screen pulls through the top and is stapled to the funnel
 - Skirt is also stapled to the funnel
 - Hot glue can be used for sealing small spot

Materials for Circle Trap

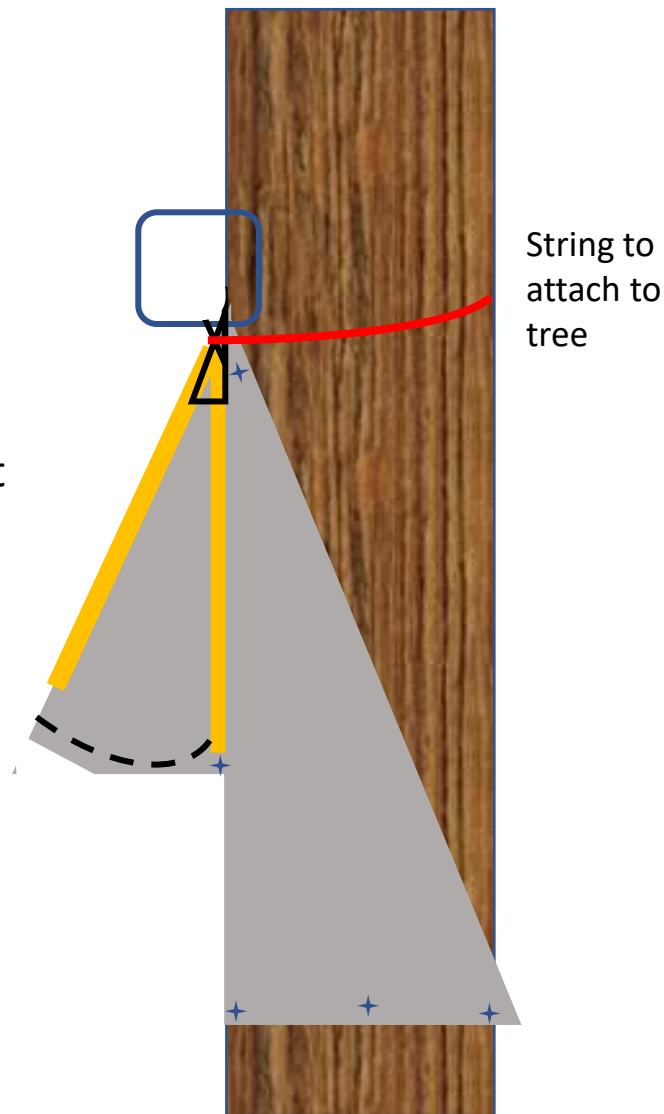


Horizontal dimension should be \leq circumference of the tree

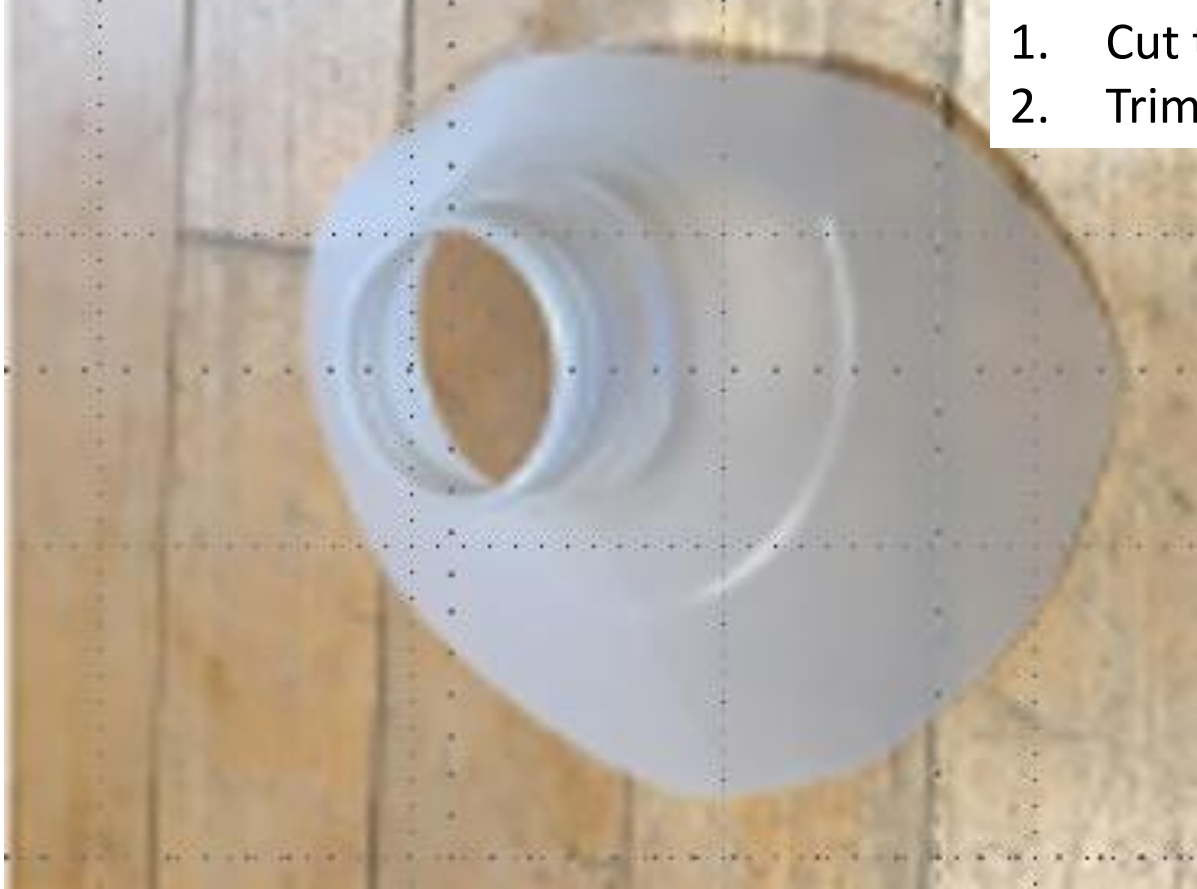
Vertical dimension of skirt should be $\sim 25''$

OTHER NEEDS

- Office stapler (opens flat)
- Scissors
- Hot glue gun
- Rubber band or zip ties
- String that wont stretch when wet
- Push pins



Steps 1: Make the Funnel



1. Cut the top from a 1 plastic milk jug
2. Trim one side is more or less flat.

Step 2: Fold and Notch the Skirt

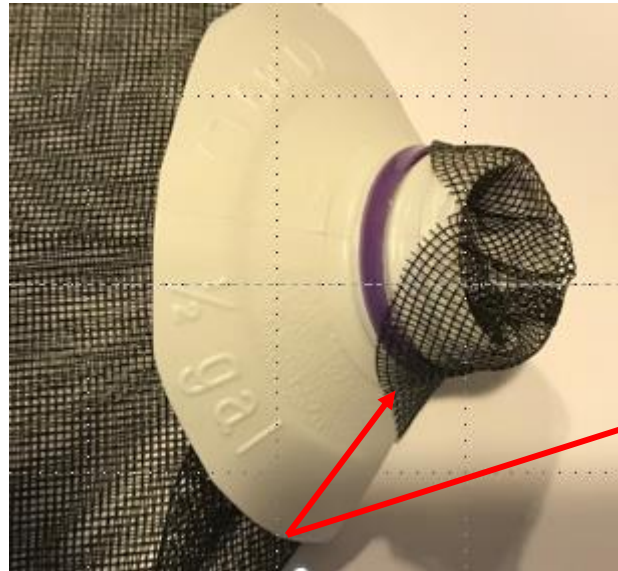
- Lay the screening horizontally on the table
- Fold the top corners of the screening into the center
- Notch by cutting a small half-circle out at the top.



Step 3: Attach skirt to the funnel



- Pull netting through the funnel
- Make sure the solid part of the skirt is facing the flat part of the funnel (to go against the tree)



- Staple netting that was pulled through to the funnel
- Use hot glue to close gaps, if needed



- Staple skirt to funnel
- Reinforce staples with tape at the neck



Step 4: Staple lath to closed side of the skirt
Put neck over the side of a table

Position tie at the middle of the neck make sure the bag is included all the way around after securing

Step 5: Attach zip lock trap

- Cut slit in corner of ziplock
- Fit over neck of jug and attach with zip tie or rubberband



Step 6: Secure Trap to Tree Trunk

- Tie the string to the neck of the trap.
- Wrap the remaining string around the tree and tie tightly
- Use push pins to secure sides and bottom of the trap securely to the trunk
- Make sure the trap is open so that SLF walk up the back to the funnel.

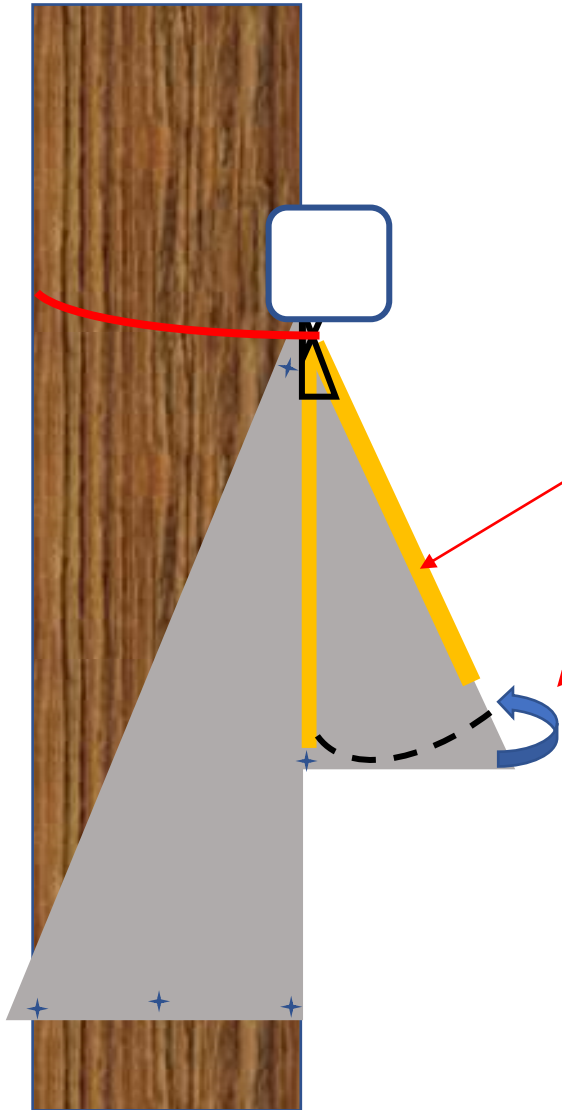
Tack the top with a push pin to minimize being blown around

Push pins on inside of trap
And along the bottom

Lower edge of the apron should stand out from the tree by a couple of inches
See remedies on next slide

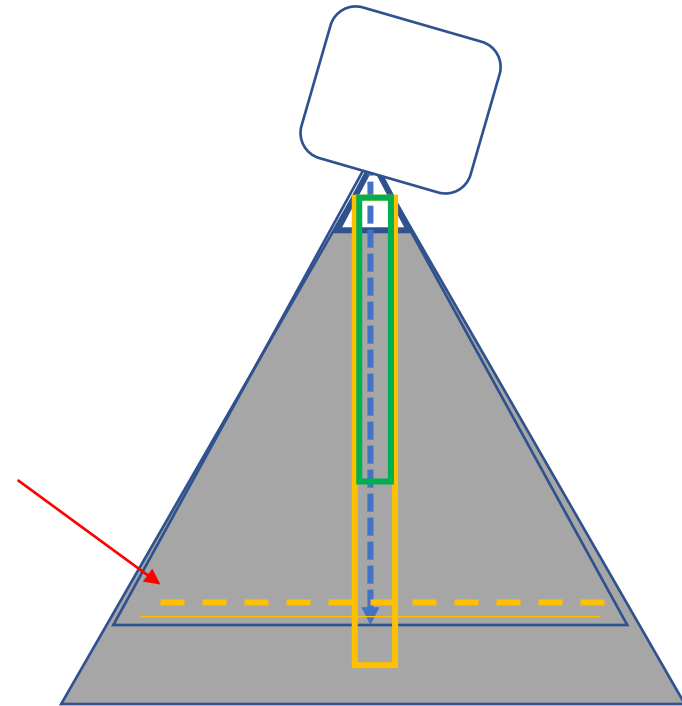


If the skirt does not stick out, use these modifications



Staple lath to short side of screen and use to hold the screening away

Add wire along lower edge by folding the edge of netting over the wire and stapling
Or weave wire through screening



Maintenance

- Untie the trap and remove pins to take down from the tree
- Either smash contents and dump out contents into alcohol
- OR smash contents, add alcohol through zip top,
- Snip zip tie remove used bag (**remember there is a hole in the bottom!**) dispose of bag in the trash
- Attach new bag and reattach trap to the tree